

2022

---

ED'LINE  
POOL LUXE

# Assembly instructions



# **Before anything else...**

## **• DISCLAIMER**

Please read the instruction pages for the kit components carefully before proceeding with assembly. Photos and images are not contractual.

Please read this manual carefully and keep it for future reference.

The pool model you have chosen has been designed to be assembled in a simple and quick way, but some precautions are necessary for the good use of your pool. Before you begin installation and assembly, find out about any local regulations that may apply to you, especially those concerning surface and location.

The use of a pool kit implies the respect of the safety instructions described in the maintenance and use instructions. Failure to do so may result in serious health risks to you and your family members.

Read this manual completely and look at the illustrations before starting to assemble your pool. Any assembly that does not comply with these instructions will expose you to a refusal of warranty in case of failure.

The illustrations in this manual are intended to explain an assembly process. They are not contractually binding as to shape, color and appearance. In its constant concern to improve its products, INFINITY INNOVATION reserves the right to modify the characteristics, technical details, standard equipment and options of its products at any time and without notice.

# **Pool warranty**

**For any customer service, keep your manual with the serial number and your proof of purchase (receipt).**

Photos may be requested as proof. No return of goods will be accepted without prior agreement. Any return of goods is at the customer's expense (packaging and transport).

## **After verification and observation of a manufacturing flaw :**

- The defective products will be repaired or exchanged and replaced with postage paid.
- The products out of guarantee will be the subject of a quote. After acceptance of this quote by the customer, the parts will be shipped to him.
- The warranty is limited to the repair or replacement of the defective part. It does not imply a claim for compensation or damages in any way.

## **The warranty does not apply in the following cases :**

- Use of the material not in conformity with our instructions.
- Damage caused by improper handling or installation.

**INFINITY INNOVATION exchanges components in return for expertise. If after expertise, no anomaly or malfunction is proven, the company reserves the right to invoice the shipping costs and other miscellaneous expenses to the customer.**

**Spare parts are available for 2 years from the billing date of the product.**

## **Period of warranty :**

- Mechanical structure guaranteed 10 years, edges guaranteed 2 years.
- Liner: 2 years on the welds and waterproofing, under normal use. It is imperative to keep the liner serial number label on the product and its packaging. For any warranty request, a sample of the liner will be requested.
- Stainless steel ladder: 2 years. In the case of a filtration by salt water chlorinator, the guarantee of the ladder cannot be taken into account.
- Filter system: The pump is guaranteed for 2 years (electrical problems) under normal use. The following are not guaranteed: breakage of parts (pump base sand tank, pre-filter cover, multiway valve, etc.), deterioration due to a faulty connection, dry use of the pump, deterioration due to abrasion or corrosion (the filtration unit must be placed in a cool, dry room, away from water projections).
- Other components: 2 years.

## **The following are excluded from the guarantee...**

- Cutting the liner
- Gluing and connecting the filtration - The assembly

**Never completely drain your pool: Snags, holes, tears, any stains, deformations of the liner left more than 24 hours without water, are not guaranteed.**

## **Customer service under warranty on receipt and proof of purchase :**

- Shipping costs going to our warehouse to be paid by the customer.
- Return shipping costs at the expense of INFINITY INNOVATION (for parts covered by the warranty).
- Exchange of COMPOSITE on visual evidence.
- Parts or components at the charge of INFINITY INNOVATION.
- Replacement time: 8 working days. INFINITY INNOVATION will not be responsible for the assembly or disassembly of a defective component.
- Without a warranty, shipping costs to and from the site are at the customer's expense, and the parts will be charged according to our current rate.

# **Preamble**

## **Safety instructions**

It is imperative to place your filtration kit (filter + pump) at least 3.5 m from the water basin to avoid any risk of electric shock. Install a special differential protection device on the pump's electrical supply, in conformity with the relevant regulations.

Never leave children unattended near the pool. After each swim, remove the outside ladder to prevent a child or pet from accidentally falling into the pool.  
(Norm EN P90-317).

This pool is intended for family use only. It is forbidden to walk on the edges of the pool, to dive or to jump from the water's edge.

## **Installation process**

The installation of the pool requires the intervention of at least two people and requires one day. (excluding landscaping and filling the pool).

## **Before building your pool, make sure :**

- The assistance of a qualified person for your electrical installations.
- That your water supply is sufficient to fill your pool.
- That the instructions have been read step by step, to fully understand the setup of your pool.

**Location advice: You must prepare your land as indicated in this manual in the "location" chapter.**

### **Do not place your pool :**

- Under electric cables.
- Under tree branches.
- On an unstabilized ground.

A good location can save you time and trouble. The pool should be in sunny location and easily accessible.

The location of the pool should be free of drains or electricity.

Note that it is best to set up the pool on a sunny day and avoid windy days.

### **Packaging, sorting and recycling**

- Some components of your pool are packaged in plastic bags. To avoid any risk of choking, never let babies and children play with them without supervision.
- Please respect the European Union regulations and help protect the environment.

### **Important**

- Read the complete instruction manual carefully before assembling the pool.
- Before starting the installation, take all components out of the pool and check that they match the indications on page 9.
- Be very careful when handling the pool parts, they may break.

**Failure to comply with these instructions will void the warranty of the pool.**

# Contents

<b>Safety advice</b> .....	07 à 08
<b>Elements</b> .....	09 à 10
<b>Ground preparation</b> .....	11 à 13
<b>Installation</b> .....	14 à 31
<b>Filtering</b> .....	32 à 35
<b>Maintenance and use</b> .....	36 à 37

# **I - Safety advice**

**Before installing and using the pool, please read carefully, understand and follow all the information in this manual.**

These warnings, instructions and safety guidelines address some of the common risks associated with water recreation, but they cannot cover all risks and hazards. Always use caution when swimming.

## **Safety of non-swimmers**

Careful, proactive and continuous surveillance by a responsible adult is essential for the safety of your children.

- Assign a competent adult to supervise the pool each time it is used.
- Children who cannot swim well or non-swimmers should wear personal protective equipment when using the pool. When the pool is not in use or is unsupervised, remove all toys from the pool and surrounding area to prevent children from being drawn to the pool.

## **Safety equipment**

- It is recommended that a fence be installed to prevent any unauthorized access to the pool.
- Safety systems; covers, pool alarms or similar safety devices, are useful aids, but they do not replace continuous surveillance by a competent adult.



## **Safety equipment**

- It is recommended that rescue equipment be kept near the pool.
- Keep a fully functioning phone and a list of emergency numbers near the pool.

## **Safety of use of the pool**

- Encourage all users, especially children, to learn to swim.
- Learn life-saving techniques (cardiopulmonary resuscitation). These actions can save a life.
- Explain to pool users, including children, what to do in case of an emergency.
- Never dive into shallow water, as serious injury or death may result.
- Do not use the pool while under the influence of alcohol or medication that may impair your ability to use the pool safely.
- If the pool is covered with a pool cover, remove the cover completely from the surface of the water before entering the pool.
- Treat your pool water and establish good hygiene practices to protect users from water-related diseases.
- Store chemicals (water treatment, cleaning or disinfecting products) out of reach of children.

**Attention: any electrical appliance supplied with 220 V must be located at least 3.50 m from the edge of the pool. The appliance must be connected to an earthed socket, protected by a differential switch (RCD) with a residual operating current not exceeding 30 mA.**

## **II - Elements**

Before starting the assembly, separate the different elements that constitute your pool. Proceed with the assembly of the ladder and the purifier (follow their installation and use instructions). If the kit is incomplete (missing parts), you must notify the service department within 10 days from the date of purchase of the pool. If this condition is not met, the guarantee will not be taken into account.

Look up your pool model on the following table:

<b>Pool model</b>	<b>Rectangle 3/2</b>	<b>Rectangle 4/2</b>	<b>Rectangle 4/3</b>	<b>Rectangle 5/3</b>
Inner diameter in mm	3979 x 2653 x H1200	5306 x 2653 x H1200	5306 x 3979 x H1200	6632 x 3979 x H1200
Outer diameter in mm	4439 x 3113 x H1200	5766 x 3113 x H1200	5766 x 4439 x H1200	7092 x 4439 x H1200
<b>Elements</b>	<b>Quantities</b>	<b>Quantities</b>	<b>Quantities</b>	<b>Quantities</b>
Aluminum	9	11	13	15
Aluminum + cutting	1	1	1	1
Straight composite border	2	4	6	8
Composite border 90 - 45	4	4	4	4
Composite border 45 - 90	3	3	3	3
Comp. border 45 - 90 cut out	1	1	1	1
Aluminium junction rail 180	6	8	10	12
Aluminium junction rail 90	4	4	4	4
Alum angle cover 180	6	8	10	12
Alum angle cover 90	4	4	4	4
Liner	1	1	1	1
Projector + power transformer	1	1	1	1
Filtration 4m3/h + timer + connection kit	1			
Filtration 6m3/h + timer + connection kit		1	1	
Filtration 8m3/h + removable pre-filter + connection kit			1	1
Strut supporting the pool panel	6	8	10	12
Liner hook	4	4	4	4
Stainless steel ladder	1	1	1	1
Skimmer / discharge	1	1	1	1
Hubcap	1	1	1	1
Metal support skimmer	1	1	1	1
Ladder metal plate	2	2	2	2

<b>Pool model</b>	<b>Octo S</b>	<b>Octo M</b>	<b>Octo L</b>	<b>Octo XL</b>
Inner diameter in mm	3465 x H1200	4528 x 3202 x H1200	5854 x 3202 x H1200	7117 x 3202 x H1200
Outer diameter in mm	3925 x H1200	4988 x 3662 x H1200	6314 x 3662 x H1200	7577 x 3662 x H1200
<b>Elements</b>	<b>Quantities</b>	<b>Quantities</b>	<b>Quantities</b>	<b>Quantities</b>
Aluminum	7	9	11	13
Aluminum + cutting	1	1	1	1
Composite border 112,5	7	5	5	5
Comp. border 112,5 cut out	1	1	1	1
Composite border 112,5-90		2	2	2
Composite border 90-112,5		2	2	2
Straight composite border			2	4
Composite border 90 - 45				
Composite border 45 - 90				
Comp. border 45 - 90 cut out				
Aluminium junction rail 135	8	8	8	8
Aluminium junction rail 180		2	4	6
Aluminium junction rail 90				
Alum angle cover 135	8	8	8	8
Alum angle cover 180		2	4	6
Alum angle cover 90				
Strut supporting the pool panel		2	4	6
Liner hook	8	8	8	8
Liner	1	1	1	1
Filtration 4m3/h + timer + connection kit	1	1		
Filtration 6m3/h + timer + connection kit			1	
Filtration 8m3/h + removable pre-filter + connection kit				1
Projector + power transformer	1	1	1	1
Stainless steel ladder	1	1	1	1
Skimmer / discharge	1	1	1	1
Hubcap	1	1	1	1
Metal support skimmer	1	1	1	1
Ladder metal plate	2	2	2	2

## **III - Ground preparation**

It is a decisive step in the construction of your pool. Some of the work involved, such as earthwork, concrete slab and drainage, may require the intervention of professionals who will be able to propose the appropriate solutions.

Choose the ideal location, as sunny as possible, taking into account local laws (distance from fences, public rights of way, networks...) and the landscaping that will follow the installation of the pool.

Before starting the installation, not knowing the position of your filtration, be sure to provide: flexible pipe diameter 50 or 38 mm, rigid pipe diameter 50 or 38 mm, 90° elbows, and shut-off valves.

If you decide to use a 38 diameter connection, you must purchase the 50/38 reducers yourself.

Do not install your pool on recently filled and/or unstabilized ground. Whichever type of installation you choose, it is necessary to strip your ground and level the earthwork. If your pool is semi buried, protect the composite part that will be in the ground with delta MS.

Caution: in case of a sloping ground, it is imperative to strip it to level it. Do not backfill your land to level it.

The installation must be done on a concrete slab, which must be at least 15 cm thick. The assembly of the basin must be done after complete drying of the slab. (3 weeks).

## **Installation of your swimming pool**

Depending on the ground nature, it is important to make a peripheral drainage and to associate it with a decompression pit. This well is dug before the construction of the pool because it can also prevent the excavations from filling up with water during the construction. It should be close to the pool, a few centimeters deeper than the lowest point of the pool and rise to the surface. The decompression well is installed on the wettest side. It acts as a sump in the case of water infiltration or clay soil, knowing that water rises significantly faster through the pipe than through the soil. Backfill with crushed gravel at the same time as filling the basin.

### **Advice on choosing the best location for your pool**

- Choose a location where you need to do as little excavation as possible to level the ground.
- No flood zone in case of rain.
- Where there are no underground pipes. (water, gas, electricity...)
- Do not install under power lines.
- Protected from the wind and without trees as pollen and leaves make the pool very dirty.
- Sunny area, where there is the most sun in the morning.
- Close to an electrical outlet, water outlet and a drainage area.

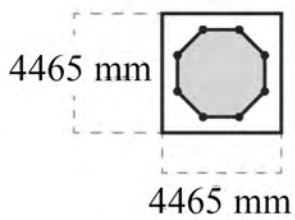
### **Installation of the pool on a concrete floor**

- Before the installation of the pool, a reinforced concrete floor of at least 350 Kg/m<sup>2</sup> and 15 cm thickness must be created. The ground must be perfectly flat and horizontal.
- Slightly dig out a surface, according to the measurements shown on the diagrams opposite, depending on your pool model.

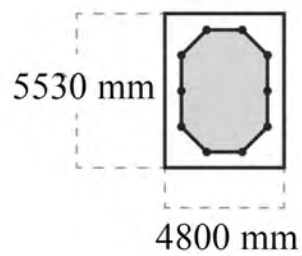
**Warning : A concrete slab is required to install your pool.**

Recommended slab sizes for each pool model :

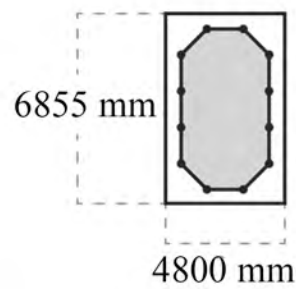
**OCTO S**



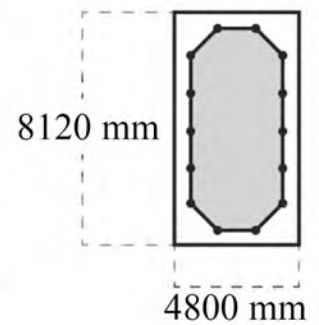
**OCTO M**



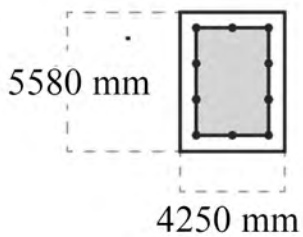
**OCTO L**



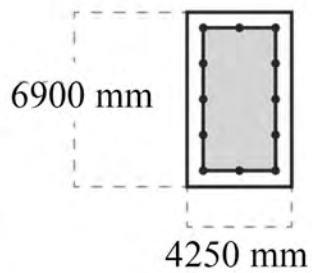
**OCTO XL**



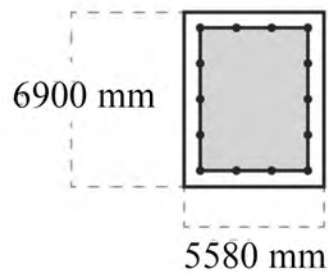
**RECT. 3/2**



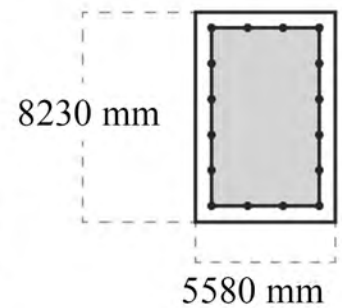
**RECT. 4/2**



**RECT. 4/3**



**RECT. 5/3**

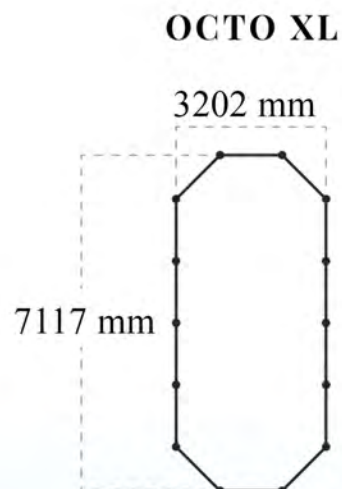
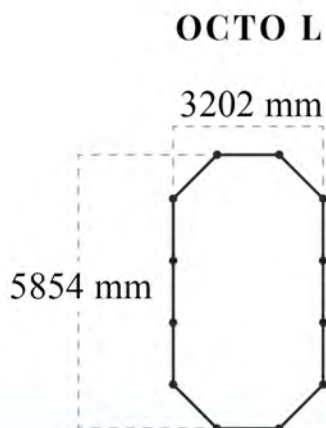
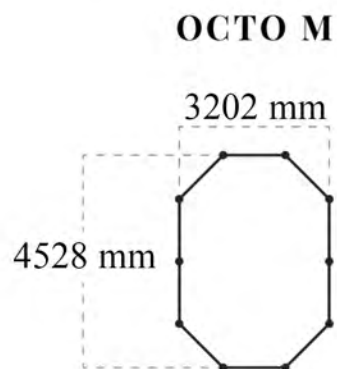
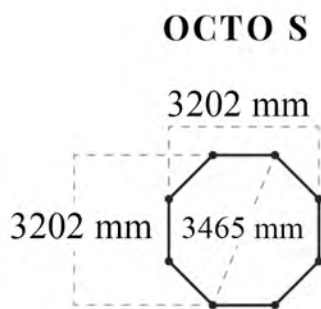


# **IV - Installation**

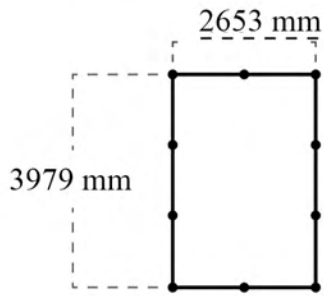
## **• EXTERNAL DIMENSIONS OF THE PANELS**

Once the ground is completely leveled, it will be necessary to proceed with the markings of the lines on the ground where the interior face of the pool panels will rest.

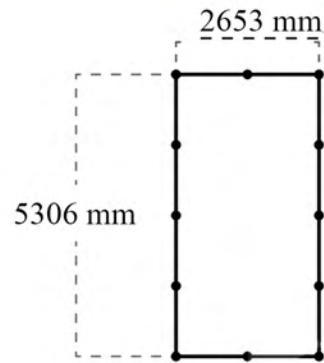
At this point, the measurements should be checked.  
If they do not coincide, you will have to do this exercise again.



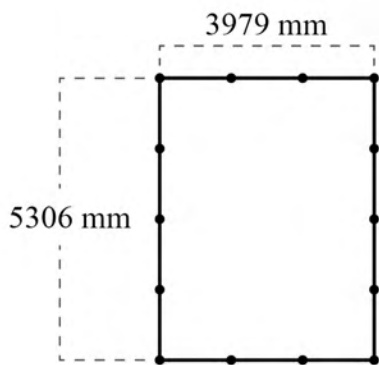
**RECTANGLE 3/2**



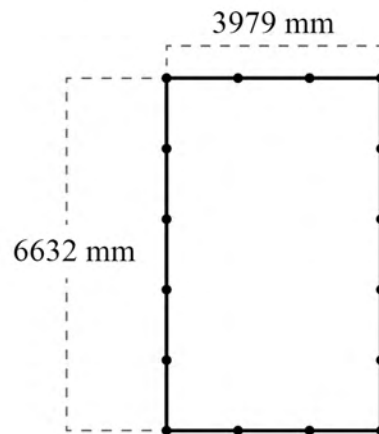
**RECTANGLE 4/2**



**RECTANGLE 4/3**



**RECTANGLE 5/3**





- **PANEL INSTALLATION**

**Your pool should be centered on the concrete slab.**

All panels in your pool are equal except for the one that incorporates the filtration. (Panel with cut-out).

Place it in the center of one of the two shorter areas of your pool.



- Always position the uncoated part of the composite upwards, to leave room for the rail.
- The inner side of the panels (smooth surface) must remain on the polygon, square or rectangle, which you just marked in the previous step.
- Use the vertical rails to connect the panels together. It is recommended to remove the plastic that protects the rail before mounting it on the panels.



◦ It is very important to move the panels carefully and by the hands of two people. Marks or scratches on the panels caused by improper handling are not covered by the warranty. If you have problems inserting the rails, gently move the panels until you find the right angle to facilitate its descent. Never try to force it.

If the floor is level and the corner of the panel is in the right place, the profiles will slide with ease. If you feel resistance, check the level of your slab.

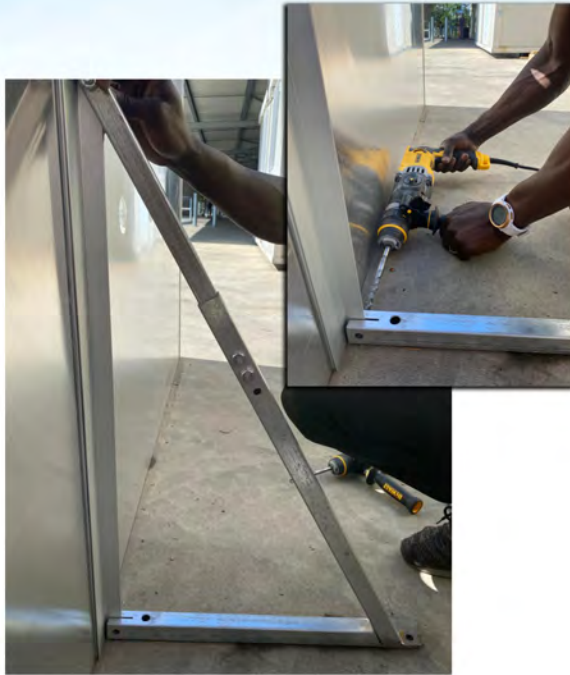


### **Positioning the strut supporting the pool panel (Does not apply to pool Octo S)**

It's time to remove the exterior protection of the vertical aluminum profiles. Review the interior measurements of your pool. Place the strut supporting the pool panel, the pieces must remain centered in the vertical rails.

The strut





For the inground pool, use the struts and fix them to the junction profiles equipped with the extruded edge.

Place the strut along the junction rail.  
Drill the screed vertically with a drill equipped with a 10 mm Ø concrete drill bit, using the pillar as a template.



The drilling depth must be at least 100 mm (vacuum the holes before inserting the pins) to ensure a good fixing. Place the anchor bolts (with washers and nuts) in the holes and hit them with a hammer.



Push in the anchor bolts FULLY (only the head should remain visible). Tighten the 4 nuts firmly in a cross pattern.

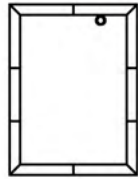
## Installation of rails

Identify the different sizes and place them in your pool as shown:

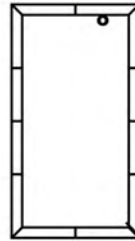
◦ : skimmer location on rectangular pools.

For octagonal pools, you are free to choose the location of your skimmer.

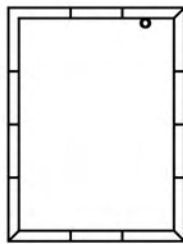
**RECT. 3/2**



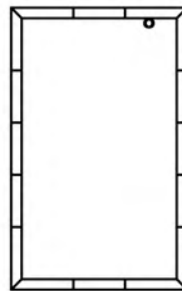
**RECT. 4/2**



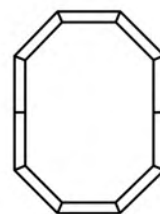
**RECT. 4/3**



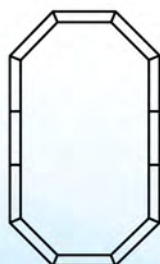
**RECT. 5/3**



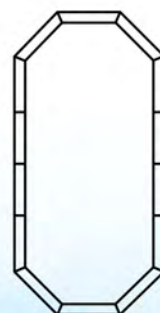
**OCTO S**



**OCTO M**



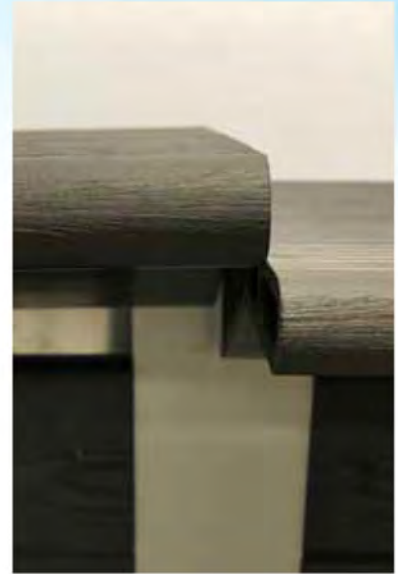
**OCTO L**



**OCTO XL**



Fit the rails gently and without forcing. The interior notches of the rails are designed to fit the thickness of the joining profile.



---

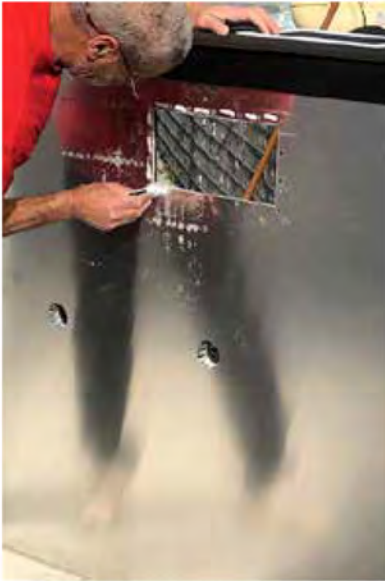
Install the cut-out rails on the skimmer panel.  
The cut-out must be on the inside of the pool.



**Before installing the liner...**

**You must glue the joint of the skimmer.  
(silicone glue to be provided by you)**

The interior joint of the pool...



As well as the external joint of the pool.



Finally, simply glue the inner joint of the discharge nozzle and the projector.



#### ◦ INSTALLATION OF THE LINER

Carefully remove the liner from the box. Stretch it out and lay it in the shadow to recover its shape. Do this at least two hours before installation. The ideal temperature for liner installation is 20 - 25°C.

Before installing the liner, make sure your base is smooth and vacuum it.

**Caution: Be sure to take into account the direction of installation of the liner. The liner hanging rail must be placed facing the pool rails, so that the smooth surface is on the inside of the pool.**





- Do not use any sharp objects to avoid puncturing it. The warranty does not cover damage caused by improper handling. Remove your shoes.
- Extend the liner closer to the corners of the pool. It is very important to do this step properly, as the final appearance of your pool will depend on the installation of the liner.
- Insert the liner into the groove, making sure that all corners are aligned. If there is excess liner on the wall when you complete this operation, distribute the excess evenly around the perimeter of the pool. This will prevent wrinkles. Check that the liner is properly positioned in the groove all around the pool and especially in the corners.

Before putting in water, the liner being smaller than the pool, check that at the bottom of the pool it is at equal distance from the panel.

**Watch for liner attachment while filling the pool.**

**For better support, insert the liner hooks in each corner of the pool between the liner and the coping**



- Once in place, fill the pool with water to about 2-3 cm. During this time, spread the bottom folds properly.

Continue filling and stop at 5 cm below the discharge.

Always backfill with crushed gravel when filling the basin.



- **ATTACH THE DISCHARGE NOZZLE**

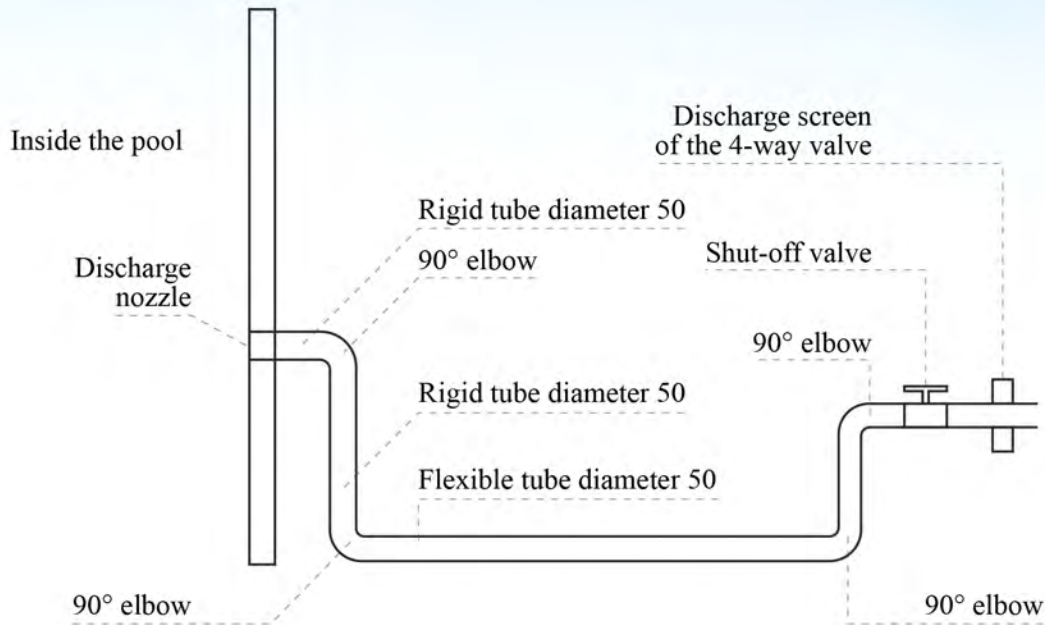
By gently pressing on the liner with a finger, locate the discharge opening.



At this spot, cut a circle in the center that is smaller than the hole for the discharge nozzle. To make this cut in the liner, you can also make a cross with a cutter and then cut the outline.



Connect the discharge nozzle to the discharge outlet of the 4-way valve



The connections can be 50 or 38 diameter depending on the location of your pool and the use you want to make of it. Not knowing the location of your filtration, you must buy the necessary parts.

Continue filling and stop at 5 cm from the bottom of the skimmer.



#### ◦ PROJECTOR OPTION

The projector is installed in the same way as the discharge nozzle. With the help of its electrical plug, you can choose the color you want, simply by plugging and unplugging it. The colors of the rainbow are offered as well as the standard natural color.

**Fixing the skimmer** (2 people are required)

Keep the skimmer on the outside of the pool in a good position in relation to the hole. inside the pool, position the seal on the skimmer flange.



Mark 4 positions in the same way as for the discharge nozzle (finger + small screwdriver), then fix 4 screws to hold the assembly.



### **Installation of the skimmer support**

Install the metal support perpendicularly under the skimmer so that it holds it. Fix it with the 4 screws provided.



### **Installation of the skimmer hubcap**

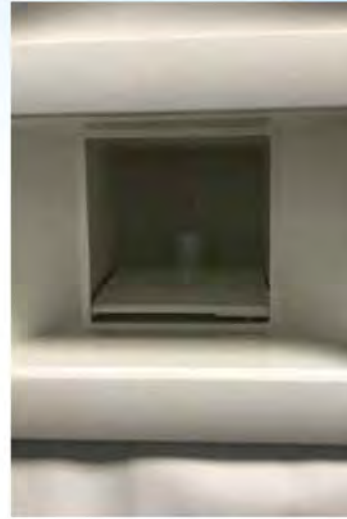
Remove the cover of the hubcap, then install the 2 parts around the skimmer. Fix it with the 4 screws provided.



Once all the screws are tightened, cut the liner.

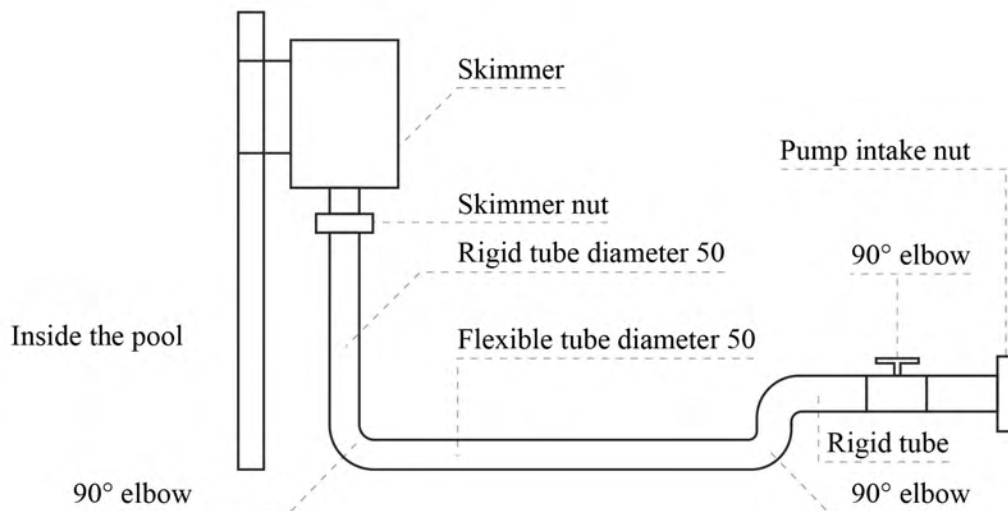


Attach the cover plate.



**This assembly must be carried out with great care, avoiding folds through which water could leak.**

Connect the skimmer to the pump suction.



The connections can be 50 or 38 diameter depending on the location of your pool and the use you want to make of it. Not knowing the location of your filtration, you must buy the necessary parts.

### **Installation of the rail covers**

- Take the covers. All pools have 4 or 8 angular ones. Place them in the joints of the rails.
- Right zone: The ends are different. Place the longest part inside the pool.
- No need to screw in.



# **V - Filtering**

## **Installation advice** (sand not included)

The filtration unit must be located at least 3.50 m from the pool unless it is covered by a filtration shelter with a lock. **Please refer to the instructions supplied with the filter unit to carry out the assembly.** Note: Fill the filter to 2/3 with the cleaned and calibrated sand: only one caliber is delivered, it ensures a good functioning of the filtration. The colors and connections of the filtration systems can differ according to the models. Please refer to the specific instructions.

Your multi-way valve has a flow direction. The "PUMP" "RETURN" "WASTE" markings are engraved on the valve's inlets and outlets. The installation of any electrical system must be done in accordance with the NF C15-100 standard. Ask the manufacturer's advice for any modification of one or more components of the filtration system. The suction pump should not be located above the water level as it may be subject to deflation.

All threaded fittings must be installed with Teflon\* sealing tape, except for fittings with O-rings joints. The Teflon tape must be wound in the opposite direction of the screwing.

**Filling:** Finish filling the pool. The final water level will be between the top third and half of the skimmer mouth.



Different filtration may be included in your kit depending on the size of the pool.



## ◦ SAND FILTER

This is the oldest filtration system. The filtered water passes through sand (calibrated silica) which retains all impurities. This type of filter is equipped with a multiway valve that allows easy handling and cleaning.

### **The different positions of the multiway valve (4 or 6)\*.**

When changing the position of the multi-way valve, the pump must always be switched off, otherwise the filter may be severely damaged and its warranty voided.

#### **1. Filter position**

The usual position of the valve allows the water coming from the pump to enter through the top of the filter and circulate through the sand where it is cleaned of impurities. The water is collected by the bottom strainer and pumped back to the pool. A pressure manometer located on the upper part of the filter allows you to control the pressure. As soon as the pressure increases by 0.2 bar compared to the initial pressure, the filter must be cleaned.

#### **2. Backwash position**

Sand cleaning position. It allows the water to circulate in the opposite direction in the filter. The water enters at the bottom of the filter and lifts the filtering mass, thus removing the impurities which, being lighter than the sand, are evacuated through the top of the filter towards the drain. This operation should be done for 2 to 3 minutes.

#### **3. Rinse position**

The operation that follows the cleaning of the filter. When the filter has been cleaned, it is essential to rinse and re-pass the filter mass. In this position, the water flows through the filter as in filtration but is drained off at the filter outlet. This operation should be done for 20 to 30 seconds.

#### **4. Waste position**

Position for draining water or emptying the pool. In this case, the water does not pass through the filter, it is drained directly into the sewer.

#### **5. Closed position**

This position does not allow any water passage and is used to put the pool in complete winter mode when the filtration is stopped.

#### **6. Circulation position\*\***

This position is used so that the water circulates in the hydraulic network without passing through the filter. This possibility is used to stir the water if a product has to be introduced into the pool or when an intervention on the filter has to be carried out, because here the filter is isolated and the water coming through the pump is rejected directly.

\* Some models are delivered with a 4-way valve  
(available positions: Filter, Backwash, Waste, Closed or Winter mode)

\*\* This position is for the 6-way valve only.  
The multiway valve should never be operated when the pump is running.

### Installation of the interior ladder

- Take the ladder and follow the assembly instructions. First, think about where in the pool you want to set up the entrance. To get an idea, you can present the ladder at different locations without placing the anchors.
- To do this, simply press it onto the rail. Place it gently so as not to scratch it.
- Position the ladder on the flattest part of the rail. That is to say, the most external part of the pool.
- Mark the 3 holes of the location.
- Using a joint clamp, install the plate under the coping.



**The ladder is only used to get out of the pool.  
Do not use the ladder to jump into the water.**

- Drill the coping and the plate at the same time with the drill.
- All that remains is to insert the 3 bolts on each side of the ladder and the nuts. (6 in total)
- Clip the liner protection covers on last.



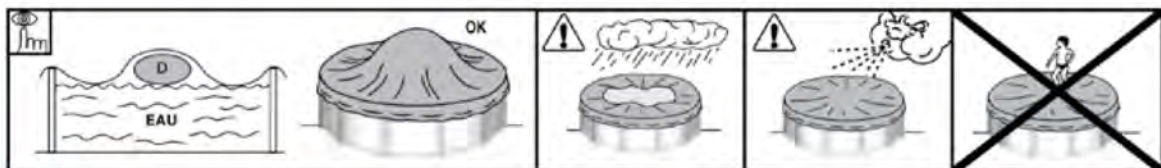
**Caution!**  
**When tightening, do not force the coping so as not to damage it.**

## VI - Maintenance and use

- During the season of use of the swimming pool kit, the filtration system must be put into operation every day, long enough to ensure at least a complete renewal of the water volume.
- During the season of use of the pool kit, check regularly the level of clogging of the filter media.
- Monitor bolts and screws (e.g., for rust) where possible.
- The water level in the pool must always be maintained at least 15 cm from the top edge of the pool.
- Never drain the pool completely. Doing so can cause serious damage to the structure of your pool if the water level is not sufficient.
- Not following the maintenance instructions can lead to serious health risks, especially for children.
- The use of a pool kit implies the respect of the safety instructions described in the maintenance and use manual.
- Do not leave a pool kit on the ground outside, empty.
- Regularly clean the plastic liner and the water level line with non-abrasive products. Periodically clean the bottom to side seam of the liner as this is an area where dirt accumulates. If you accidentally make a small hole in the liner, you can repair it with our AR202 or V12 patches.
- Summer covers (isothermal) protect your pool from insects, dust, leaves, etc. and prevent water temperature loss. Always place it with the bubbles in contact with the water.

### Recommendation for the environment:

**"Do not dismantle the pool if it is not absolutely necessary. In case of dismantling, please reuse the water. There is no excess water."**



## Winter mode

### a) If you choose not to dismantle the pool

- Clean the bottom and sides of the liner with a non-abrasive product.
- Treat the water with a winterizing product. It is recommended to use a liquid winterization instead of floats with a solid product to avoid discoloration of the liner.
- Leave the pool filled with water taking into account that:
  - ~ For pools with skimmer and discharge nozzle, lower the water level 5 cm below the skimmer and close the discharge nozzle with the screw cap attached to the purifier.
  - ~ For pools with suction and delivery nozzles, lower the water level to 20 cm from the upper edge of the pool, closing the nozzles with the built-in screw system.
- Disconnect the tubes. Do not disassemble the skimmer or the nozzles.
- Protect the pool with a winter cover, putting a floating element between it and the water, to protect it from freezing.
- Filtering system: disconnect it from the pool. Clean it, empty the sand or remove the cartridge, dry it and keep it in a covered place away from humidity.
- Accessories: remove all accessories (ladder, alarm, projector, pole...), clean them with fresh water and store them.
- **Restart:** Remove the winter cover, install the filtering system, change at least 1/3 of the water and perform a chlorination shock. Run the filtering system for at least 8 hours, respecting the continuous operation periods indicated in the filtering system manuals.

## **b) If you choose to disassemble the pool**

- Empty the pool. Methods : Filtering system, draining pump or communicating tanks principle. Use the principle of communicating tanks: for this, take the pipe of the filtering system with a smaller diameter. Attach a weight to one end of the pipe and lower it to the bottom of the pool. Then lower the entire hose until all the air inside is drained. With the palm of your hand, seal the free end of the hose under water and lead it to the desired draining point. Remove your hand and the water will begin to flow. Do not use this water for watering, as it contains chemicals.
- Clean all pool components with a sponge and a pH-neutral soap product. Dry them and store them in a dry and clean place. It is normal that after several assemblies and disassemblies the plastic liner liner will expand and lose its elasticity.

START-UP: Read the instructions in this manual again from the beginning

### **Chemical treatments**

Read the chemical manufacturer's instructions carefully.

Caution: Store chemicals in a clean, dry place out of reach of children.

### **First pool filling**

Test the pH and Chlorine (Cl) of the water and adjust to the optimum levels:

pH: 7.2 - 7.6; Chlorine: 0.5 - 2 ppm.

### **Chlorination shock**

This consists of increasing the chlorine level to approximately 20 ppm to eliminate bacteria and algae. It should only be done when the pool water comes from wells, ponds,... or when it has been left untreated for a long time.

### **Controls**

Check, at least once a week, the pH and Chlorine levels. (Use a Chlorine and pH analyzer) Also, you should add algaecide to prevent algae formation. Never swim until the chlorine level is stabilized. Always use a floating dosifier to dissolve the chemical (tablets). The dosage of chemicals depends on the volume of water in your pool, the frequency of swimming, the weather conditions, water temperature and location. Always agitate the water and wait for the dissolution of a chemical product before adding another one. Wait approximately 12 hours between each pH, chlorine or anti-algae adjustment while operating the filtration system.

### **Important :**

**All products used must be compatible with the plastic liner.**