



Rectangular Pool

10 years warranty
on the structure

2 years warranty
on the accessories

Quick assembly
30/40 minutes

BENEFITS OF COMPOSITE ALUMINUM PANELS :



WEATHER
RESISTANCE



HUMIDITY
RESISTANCE



UV
RESISTANCE



IMPACT
RESISTANCE



ENHANCED
INSULATION



HIGH
DURABILITY

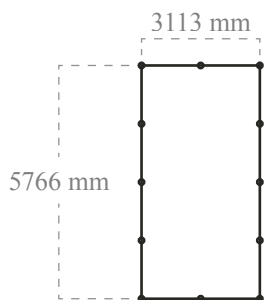


NO CORROSION
NO DEFORMATION

COMPLETE POOL KIT INCLUDED :

- Liner 60/100
- Filter system / Skimmer Emaux
- Plumbing kit
- LED projector
- Inox ladder
- Composite stairs

POOL DIMENSIONS :

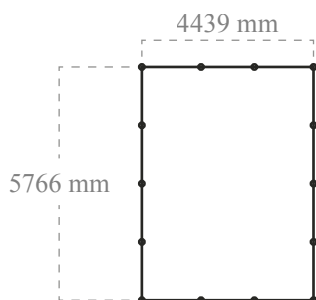


Internal dimensions

Length 5306 mm
Width 2653 mm
Height 1200 mm (1500 mm available)

External dimensions

Length 5766 mm
Width 3113 mm

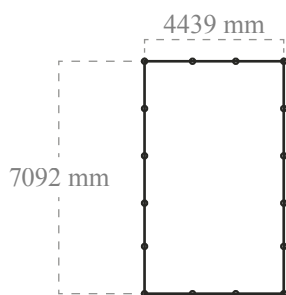


Internal dimensions

Length 5306 mm
Width 3979 mm
Height 1200 mm (1500 mm available)

External dimensions

Length 5766 mm
Width 4439 mm

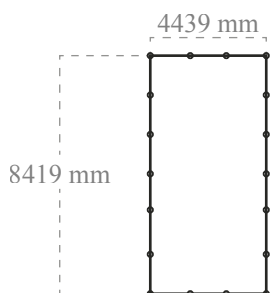


Internal dimensions

Length 6632 mm
Width 3979 mm
Height 1200 mm (1500 mm available)

External dimensions

Length 7092 mm
Width 4439 mm



Internal dimensions

Length 7959 mm
Width 3979 mm
Height 1200 mm (1500 mm available)

External dimensions

Length 8419 mm
Width 4439 mm